



WORLD DRYER

Hand Dryers

Hand Dryer Benefits
Planning Guide - pg 1



Airforce™ - pg 2



AirMax™ - pg 3



Model A Series - pg 4



Nova® 1 and Nova® 2 - pg 5



Nova® 4 and Nova® 5 - pg 6



NoTouch™, Airspeed™
and Electric-Aire™ - pg 7

Hair Dryers - pg 8

BACK COVER
Baby Changing Stations
Mounting Heights Chart



800-323-0701
www.worlddryer.com

Hand Dryers

WHY CHOOSE HAND DRYERS?

The benefits of using hand dryers over paper towels

ENVIRONMENTAL

Hand dryers save trees from being cut down and made into paper towels.

Paper towels can be made from recycled paper, but they cannot be recycled. They create millions of cubic feet of waste in landfills.

The production of paper towels is twice as energy-intensive as the use of hand dryers and creates more greenhouse gases.

It takes more energy to produce 2 paper towels than it does to run a typical high speed hand dryer.

To make one ton of recycled paper, it takes 7,000 gallons of water, 158 million BTUs of energy; and 60 pounds of pollutants go into the atmosphere.

Over its lifetime, just one hand dryer will produce 3.0 tons less CO₂ than the production of the towels it replaces. (4.6 tons vs 1.6 tons of CO₂)

A school using 30 hand dryers saves one ton, or 17 trees worth of paper towels per year.

The United States Postal Service identified hand dryers as the single most cost and waste reduction alternative in their Pollution Prevention Study.

FINANCIAL

Hand dryers operate on pennies a day.

Installing hand dryers in public washrooms reduces hand drying expense by an average of 90-95% when compared to paper towels.

The average payback for hand dryers is 12-18 months.

Paper costs continue to rise.

MAINTENANCE

The use of paper towels involves constant ordering, stocking, cleaning, and disposal.

Hand dryers eliminate paper towel waste and disposal issues, including plumbing problems due to clogged paper towels.

SAFETY/VANDALISM

Paper towels clog toilets, litter floors and can be fire hazards.

World Dryers® are built to take abuse.

Overflowing trash bins are a source for potential fires.

The cast iron models are literally bullet proof.

HYGIENIC

Hand dryers are more sanitary than paper or linen roller towels.

The new AirForce™ dryers are embedded with SteriTouch anti-microbial additive to protect from the build-up of germs, mold and bacteria.

Hand dryers eliminate paper towel waste and disposal issues.

Dirty towels overflow and litter floors

Studies have found that hand dryers can reduce the spread of micro-organisms compared to paper towels.

Touchless hand dryer models prevent contamination of buttons, knobs and levers.

Bacteria laden paper towel waste creates a negative image for your customer's business.

CONVENIENCE

Run out of towels? No worries with hand dryers.

Hand dryers are always on duty.

PLANNING GUIDE

The environmentally responsible method to dry your hands

QUANTITY ESTIMATE

Average traffic: 1 dryer per 2 washbasins

Heavy traffic: 1 dryer per washbasin

54" Bradley sink: 4 dryers per sink

DRYER PLACEMENT

Hand dryers should be placed at least 2 feet apart, near but not over the washbasin. In congested areas dryers should be placed to create a traffic flow from wash basin to dryer to exit. Automatic dryers should be placed more than 18" above or away from projections, which may interfere with the operation of the automatic sensor.



AirMax™ XM5-972
Automatic, Surface Mounted

More information available online: www.worlddryer.com



J-970
Surface Mounted

AIRFORCE™ HAND DRYERS

Another innovative breakthrough from World Dryer®



J-974
Surface Mounted

MODEL NUMBERS

COVER COLOR	MOUNTING OPTIONS	120 volt Models	*208/230 volt Models	220 volt / 50 Hz Export
White	Surface	J-974	*J4-974	J48-974
Black	Surface	J-162	*J4-162	J48-162
Chrome	Surface	J-970	*J4-970	J48-970
ELECTRICAL	Volts	120	208/230	230
	Amps	9.6	4.8	4.8
	Watts	1100	1100	1100
	Hertz	60	60	50

* Available soon!

RECESSING KIT	KJR-973	KJR-973	KJR-973
Stainless Steel, ADA Compliant ♿			

MEASUREMENTS

Surface units	Unit Measurements	10.7" H x 8.9" W x 6.5" D 272 mm x 226 mm x 165 mm
	Weight	7 lbs / 3.18 kgs
	Shipping Dimensions	11.7" H x 10.8" W x 7.2" D 297 mm x 274 mm x 183 mm
	Recessing kit (separate from dryer)	Unit Measurements
Weight		8 lbs / 3.6 kgs
Shipping Dimensions		5" H x 13.8" W x 24.9" D 338 mm x 351 mm x 76 mm
Dimensions		

Dryer protrudes 3.5" from the wall with the use of a recessing kit.

SPECIFICATIONS

Airforce™ Model J, J4, and J48 hand dryers shall be manufactured by or for World Dryer® Corporation. Dryer assembly to be housed in a die cast Aluminum housing finished in chrome plating or housing finished in epoxy paint that is incorporated with SteriTouch® antimicrobial additive. Motor shall be universal brush type operating at 34000 RPM and shall be thermally protected. Dryer shall be activated by an automatic active infrared sensor controlled by a circuit board with 1 second run-on time and 30 second vandal shut-off. Control board to have conformal coating. Dryer shall provide a 40°F temperature rise, and PC/ABS internal housing components to be V0 or V5 flame retardant. Hand dryers shall be listed under re-examination service of Underwriters Laboratories, Inc. ♿ cUL US

AIRFORCE™ FEATURES

High speed, fast 12 second dry time

Sound level of 83 dB

Extremely low power consumption at 1100 watts

Automatic infrared activation ensuring optimum hygiene levels

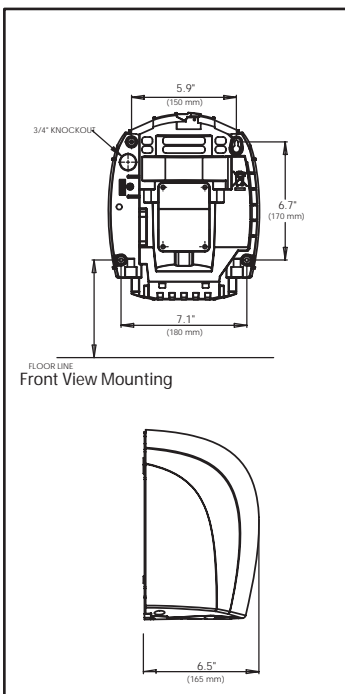
Drastically reduces the spread of harmful bacteria, mold and fungi

Available with a white, black or chrome cover, surface mounted or ADA compliant with a recessed kit

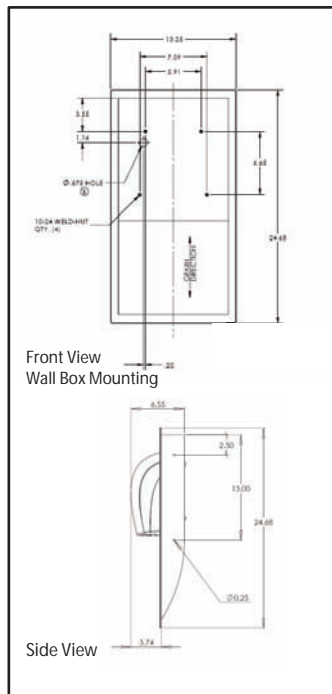
Sleek design prevents dirt from collecting and is easy to clean

WARRANTY
5 year limited

SURFACE MOUNTED



RECESS MOUNTED



Drawings not to scale

INSTALLATION

Airforce™ hand dryers require a dedicated 15 AMP circuit, and must be properly grounded. GFI circuit protection is recommended. One side of dryer should be mounted to a stud.



ENVIRONMENTALLY FRIENDLY

Airforce™ is GreenSpec® listed. Products selected for the GreenSpec list are considered to be the top of class and environmentally preferable, based on USGBC Building Green's criteria and testing. Airforce™ can help earn LEED credits based on EA Credit 1 for optimized energy performance.

STERITOUCH® ANTIMICROBIAL

Airforce™ utilizes SteriTouch® patented anti-bacterial technology. SteriTouch® protects from the build-up of germs, mold and bacteria and makes the dryer easy to clean.

SteriTouch® is an antimicrobial additive designed to reduce the growth of harmful organisms such as bacteria, mold and fungi, while remaining entirely safe for even the most sensitive applications.

SteriTouch® is effective against many organisms, including bacteria such as methicillin resistant staphylococcus aureus (MRSA), escherichia coli, pseudomonas aeruginosa, salmonella enteritidis and listeria monocytogenes, and molds such as aspergillus niger.

AIRMAX™ FEATURES

15 second dry time:
twice as fast as
other hand dryers!

Uses 1/2 the energy
per dry of standard
dryers

Sound level of
83.3dB

Available in a
variety of cover
options, push
button or
automatic, surface
mounted
or ADA compliant
recessed models

Warranty
10 year limited
5 year on sensor
3 year on motor
brushes



DXM5-973
Automatic, Surface Mount



XRM5-Q974
Automatic, Recess Mounted



M5-974
Push Button, Surface Mount

MODEL NUMBERS

Chart shows automatic activation only. For pushbutton, see note below.

COVER MATERIAL	COVER COLOR	MOUNTING OPTIONS	115 volt Models	208/230 volt Models	220 volt / 50 Hz Export
Cast Iron	White	Surface	XM5-974	XM54-974	XM548-974
	Beige	Surface	XM5-468	XM54-468	XM548-468
	White	Recessed	XRM5-Q974	XRM54-Q974	XRM548-Q974
	Beige	Recessed	XRM5-Q468	XRM54-Q468	XRM548-Q468
Steel	White	Surface	DXM5-974	DXM54-974	DXM548-974
Stainless Steel	Polished	Surface	DXM5-972	DXM54-972	DXM548-972
	Brushed	Surface	DXM5-973	DXM54-973	DXM548-973
	Brushed	Recessed	DXRM5-Q973	DXRM54-Q973	DXRM548-Q973
ELECTRICAL	Volts		115	208/230	230
	Amps		20	10	10
	Watts		2300	2300	2300
	Hertz		60	60	50

ACTIVATION: PUSH BUTTON vs AUTOMATIC

The above chart is for automatic activation only. For push button models, remove the "X" from the model number.

* Push button is not available in Stainless Steel recessed units.

Example:
M5-974

WORLD STONE COVERS - Available for surface mounted, automatic units only

Use a cast iron model number with the following suffixes:

674- White, 668-Beige, 662-Ebony, 655 Granite Grey

Example:
XM5-668

UNIVERSAL NOZZLES

AirMax dryers only come with a fixed Universal nozzle.

AirMax™ is GreenSpec® listed. Products selected for the GreenSpec list are considered to be the top of class and environmentally preferable, based on USGBC Building Green's criteria and testing. AirMax™ can help earn LEED™ credits based on EA Credit 1 for optimized energy performance



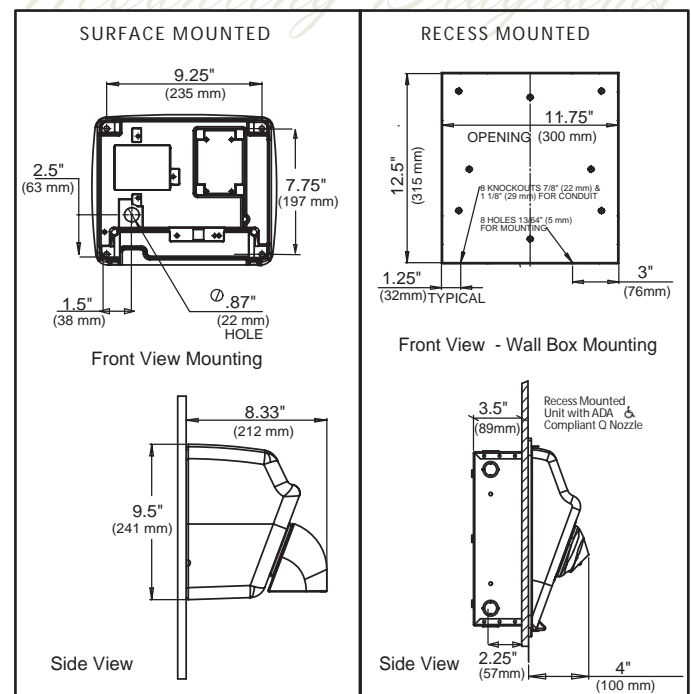
SPECIFICATIONS

AirMax™ Models M5, XM5, DM5, DXM5, RM5, XRM5 and DXRM5 hand dryers shall be manufactured by or for World Dryer® Corporation to include a cover of 1/4" thick cast iron with porcelain enamel finish, 14 gauge polished or brushed 304 stainless steel, 14 gauge epoxy coated Cold Rolled Steel, or 1/4" thick WorldStone Thermoset Polymer. Motor shall be universal type, 1/6 HP at 12,000 RPM. Dryer shall deliver 275 cubic feet per minute of air volume (9960 LFM). Timer shall be electromechanical cam style with 25 AMP rated switch to operate dryer for 20 seconds on push button units. Infrared sensor detects hands, initiates and terminates drying on automatic units. Recessed units are made with cast iron covers and use a 16-gauge steel wall mounting box. Hand dryers shall be listed under reexamination service of Underwriters Laboratories, Inc. ♿ ♻️

MEASUREMENTS

Unit Measurements		Surface	11.3" W x 9.6" H x 8.1" D 287 mm x 244 mm x 100 mm
		Recessed	13.1" W x 13.8" H x 4" D 333 mm x 351 mm x 100 mm
Weight	Cast Iron	Surface	29 lbs / 13.18 kgs
	Cast Iron	Recessed	35 lbs / 15.91 kgs
	Steel	Surface	18 lbs / 8.18 kgs
	WorldStone	Surface	16 lbs / 7.27 kgs
Shipping Dimensions		Surface	13" L x 10" W x 11.5" H 330 mm x 254 mm x 292 mm
		Recessed	15" L x 15" W x 11.2" H 381 mm x 381 mm x 284 mm

AIRMAX™ and MODEL A MOUNTING DIAGRAMS



MODEL A SERIES HAND DRYERS

Models A5, XA5, DA5, DXA5, RA5, XRA5 and DXRA5



XA5-662
Automatic Surface Mounted



XRA5-Q974
Automatic Recess Mounted



A5-974
Push Button Surface Mounted

MODEL NUMBERS

Chart shows automatic activation only. For pushbutton, see note below.

COVER MATERIAL	COVER COLOR	MOUNTING OPTIONS	115 volt, 20 amp Models	115 volt, 15 amp Models	208/230 volt Models	277 Volts Models	220 volt / 50 Hz Export
Cast Iron	White	Surface	XA5-974	XA52-974	XA54-974	XA57-974	XA548-974
	Beige	Surface	XA5-468	XA52-468	XA54-468	XA57-468	XA548-468
	White	Recessed	XRA5-Q974	XRA52-Q974	XRA54-Q974	XRA57-Q974	XRA548-Q974
	Beige	Recessed	XRA5-Q468	XRA52-Q468	XRA54-Q468	XRA57-Q468	XRA548-Q468
Stamped Steel	White	Surface	DXA5-974	DXA52-974	DXA54-974	DXA57-974	DXA548-974
Stainless Steel	Polished	Surface	DXA5-972	DXA52-972	DXA54-972	DXA57-972	DXA548-972
	Brushed	Surface	DXA5-973	DXA52-973	DXA54-973	DXA57-973	DXA548-973
	Brushed	Recessed	DXRA5-Q973	DXRA52-Q973	DXRA54-Q973	DXRA57-Q973	DXRA548-Q973
ELECTRICAL	Volts		115	115	208/230	277	230
	Amps		20	15	10	8.5	10
	Watts		2300	1725	2300	2300	2300
	Hertz		60	60	60	60	50

ACTIVATION: PUSH BUTTON vs AUTOMATIC

The above chart is for automatic activation only. For push button models, remove the "X" from the model number.

* Push button is not available in Stainless Steel recessed units.

Example:
A5-974

WORLD STONE COVERS - Available for surface mounted, automatic units only.

Use a cast iron model number with the following suffixes: 674- White, 668-Beige, 662-Ebony, 655 Granite Grey

Example:
XA5-668

UNIVERSAL NOZZLES

All Model A dryers come with a fixed Universal nozzle that can be easily adjusted during installation (or thereafter) to a swivel nozzle. For specification purposes, a model with a "5" in the model number (indicating a fixed nozzle) is the same as a model without the "5" (indicating a swivel nozzle).

Example:
order an A5-974 if an
A-974 is specified

COVER MATERIALS FOR AIRMAX™ and MODEL A SERIES

Cover Options

CAST IRON COVERS

Cast Iron provides the ultimate in durability and vandal-resistance. The 1/4" thick cast iron with porcelain enamel construction makes this option suitable for areas such as train/bus stations, schools, theaters, airports, and prisons.

STEEL COVERS

They are both durable and economical. Grade 304 stainless steel covers are vandal resistant and offer a touch of elegance.

WORLD STONE COVERS

Provide a durable, cost effective option to traditional metal covers. Available for Model A and AirMax, surface mounted, automatic hand dryers. Embedded with antimicrobial agents to promote hygiene. Material originally developed for use in high temperature, demanding aerospace and automotive applications.



White
674



Beige
668



Ebony
662



Granite Grey
655

SPECIFICATIONS

Models A5, XA5, DA5, DXA5, RA5, XRA5 and DXRA5 hand dryers shall be manufactured by or for World Dryer Corporation® to include a cover made of 1/4" thick cast iron with porcelain enamel finish, 14 gauge polished or brushed 304 stainless steel, 0.08" thick epoxy coated Cold Rolled Steel, or 1/4" thick WorldStone Thermoset Polymer. Motor shall be universal type, 1/10 HP at 7500 RPM. Dryers shall deliver 200 cubic feet per minute of air volume (7300 LFM). Timer shall be electromechanical cam-style with 25 AMP rated switch to operate dryer for 30 second period on push button units. Infrared sensor detects hands, initiates and terminates drying on automatic units. Recessed units are made with cast iron or 304 stainless steel covers and use a 16-gauge steel wall mounting box. Hand dryers shall be listed under reexamination service of Underwriters Laboratories, Inc.



INSTALLATION

Airmax™ and Model A hand dryers require a dedicated 20 AMP circuit, and must be properly grounded. GFI Circuit protection is recommended. One side of dryer should be mounted to a stud.

MODEL A FEATURES

Superior engineering and high performance

Sound level of 75 dB

Quality materials provide maximum durability and vandal resistance

Available in a variety of cover options, push button or automatic, surface mounted or ADA compliant recessed models

Universal nozzle is shipped fixed and is easily convertible to swivel

Warranty 10 year limited 5 year on sensor 3 year on motor brushes

NOVA 1® FEATURES

Surface mounted, automatic activation, Nova 1® is ADA compliant

Nova 1® is multi-voltage (100 VAC to 240 VAC), Nova 1® Plug-in works on 120 volt

Thermally protected motor, tamper resistant screws

Nova 1® Plug-in offers hassle free, quick installation

Sound level of 76dB

WARRANTY
2 year limited

NOVA 1® HAND DRYERS

Nova 1® and Nova 1® Plug-in hand dryers are multi-voltage units that are suitable for light traffic areas and are quiet.

MODEL NUMBERS

MOUNTING OPTIONS	Surface Mounted Hardwired	Surface Mounted Plug-in
Model Number	0830	0833
Cover Color	White	White
ELECTRICAL	Volts	115, 120, 208, 240
	Amps	10,6,5
	Watts	1150
	Hertz	60 or 50

MEASUREMENTS

Unit Measurements	9.0" W x 9.7" H x 4" D 234 mm x 246 mm x 100 mm
Weight	10 lbs / 4.55kgs
Shipping Dimensions	13" L x 12" W x 8" H 330 mm x 305 mm x 203 mm

Nova Serie



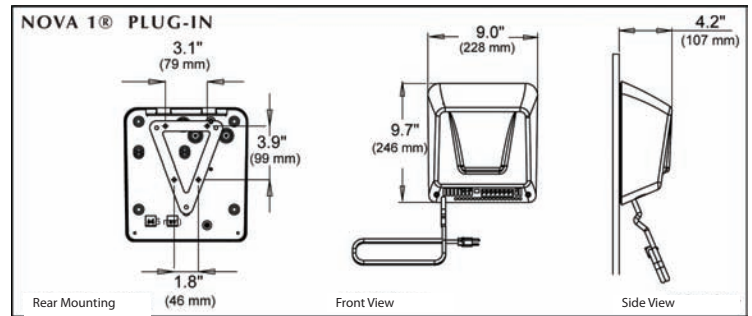
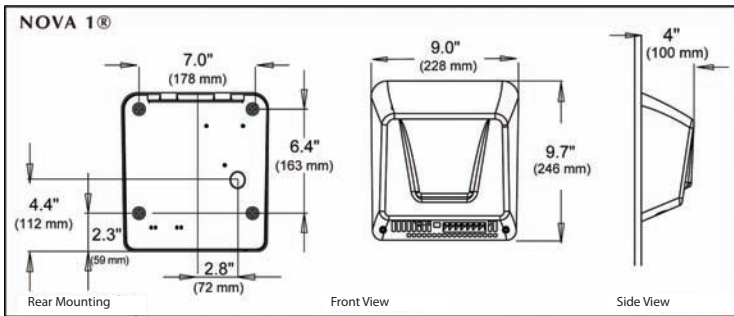
Nova 1® - 0830
Automatic Surface Mounted



Nova 1® Plug-in - 0833
Automatic Plug-in Mounted

SPECIFICATIONS

Nova 1® hand dryers shall be manufactured by or for Nova® Hand Dryers to include cover of die cast Aluminum with white epoxy enamel. Motor shall be thermally protected brush type with minimum 7500 RPM with a single shaft. Dryer shall deliver 134 cubic feet per minute of air volume (6400 LFM), and shall be activated by an infrared sensor, and controlled by a microprocessor that allows multi-voltage application (100 VAC to 240 VAC - 50 or 60 Hz). Dryer shall be surface mounted, and Nova 1® must not protrude more than 4 inches from the wall when hard-wired. Plug-in units shall be equipped with a 6 foot long cord and three-prong conductor plug, and shall include mounting bracket and hardware. Plug-in units available only in 120 VAC, 60 Hz for use with common wall outlets. Nova® Hand Dryer shall be listed under reexamination service of Underwriters Laboratories, Inc.



Nova 2® - 0930
Automatic Surface Mounted

NOVA 2® HAIR DRYERS

Nova 2® hand dryers are multi-voltage units (100 VAC to 240 VAC) that are suitable for light traffic areas and are quiet.

MODEL NUMBERS

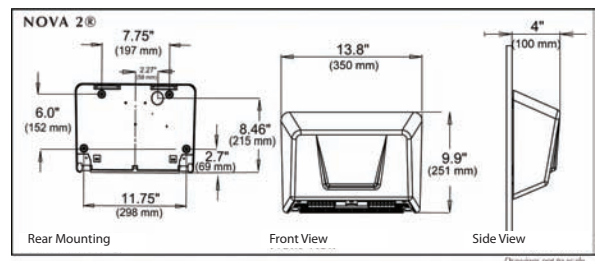
COVER COLOR	MOUNTING OPTIONS	120 volt
		Models
White	Surface	0930
Brushed Stainless Steel	Surface	093079
ELECTRICAL	Volts	120, 208, 240
	Amps	15, 9, 10
	Watts	2300
	Hertz	60 or 50

MEASUREMENTS

Unit Measurements	14" W x 10" H x 4" D 356 mm x 254 mm x 100 mm
Weight	12 lbs / 5.5 kgs
Shipping Dimensions	16" L x 13" W x 8" H 406 mm x 330 mm x 203 mm

SPECIFICATIONS

Nova 2® hand dryers shall be manufactured by or for Nova® Hand Dryers to include cover of drawn steel with porcelain enamel or drawn brushed finish 304 stainless steel. Motor shall be thermally protected brush type with minimum 7500 RPM with double shaft. Dryer shall contain dual blowers and deliver 220 cubic feet per minute of air volume (5300 LFM), and shall be activated by an infrared sensor, and controlled by a microprocessor that allows multi-voltage application (100 VAC to 240 VAC - 50 or 60 Hz). Dryer shall be surface mounted. Nova® Hand Dryers shall be listed under reexamination service of Underwriters Laboratories, Inc.



INSTALLATION Nova® hand dryers require a dedicated 20 AMP circuit, and must be properly grounded. GFI Circuit protection is recommended. One side of dryer should be mounted to a stud.

NOVA 2® FEATURES

Surface mounted, automatic activation

Thermally protected motor, tamper resistant screws

Nova 2® has dual blowers for maximum output

Sound level of 73dB

WARRANTY
5 year limited

Nova Series

NOVA 4[®] HAND DRYERS



Nova 4[®] - 0412
Push Button, Surface Mounted

SPECIFICATIONS

Nova 4[®] & Nova 5[®] hand dryers shall be manufactured by or for Nova[®] Hand Dryers to include a one-piece cover constructed of .20" thick cast iron (Nova 4[®]) finished in white acid-resistant porcelain enamel or .09" thick die cast aluminum finished in brushed chrome plating or epoxy coating (Nova 5[®]). Dryers shall be fitted with 360 degree revolving die cast aluminum nozzles finished in bright chrome plating. Surface-mounted covers shall be fastened by two flat-head, recessed tamper-resistant bolts to a heavy-gauge steel wall plate, which in turn shall be fastened to the wall or a wall box by four concealed mounting bolts. (For recessed dryers only: A steel wall box shall be furnished into which a complete base assembly shall be mounted). The dryer shall be equipped with 15 air intake slots (Nova 4[®]) or 30 air intake slots (Nova 5[®]). The fan shall be protected by an aluminum die cast grating fixed into the blower housing. The entire mechanism shall be internally grounded throughout. The motor shall be brushless, 1/10 H.P., 3200 RPM, thermally protected. The fan shall be a large single inlet centrifugal type contained in an aluminum die cast housing. It shall deliver 148 cubic feet per minute of air volume (4700 LFM) and shall be mounted directly on the motor shaft. The heating element of nichrome wire shall be mounted on the air intake. It shall be protected by an automatic resetting circuit breaker (25 AMP) which shall open whenever the air flow is cut off and shall close when the flow of air is resumed. The element shall produce an air temperature of 142 F at a 72 F ambient room temperature. The dryer shall be equipped with an infrared sensor which will allow the dryer to start automatically when hands are placed underneath the air nozzle, and to stop automatically when the hands are removed. For push button dryers (Nova 5[®] only), timer shall be micro-chip based and micro-switch activated. It shall be adjustable to allow for the required time cycle setting. Nova[®] Hand Dryers shall be listed under reexamination service of Underwriters Laboratories, Inc.



The Nova 4[®] hand dryer is durable and vandal resistance. These hand dryers are available in surface or recessed mounting.

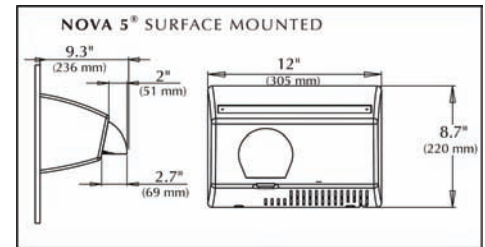
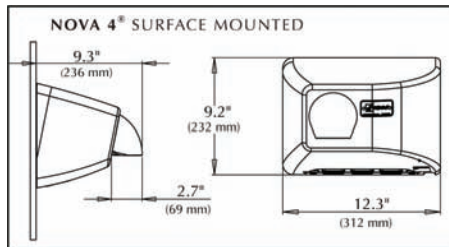
MODEL NUMBERS

COVER COLOR	MOUNTING OPTIONS	120 volt Models	208/240 volt Models	120 volt Inst. Model *
White	Surface	0412 0410, 0411	0422 0420, 0421, 0480	0512 0511
	Recessed	0712 0710, 0711	0722 0720, 0721, 0780	
ELECTRICAL	Volts	120	208/240	120
	Amps	15	9	15
	Watts	1800	1800	1800
	Hertz	60	60	60

MEASUREMENTS

* Institutional model includes top knockout for surface wiring installation.

Unit Measurements	Surface	12.3" W x 9.2" H x 9.5" D 312 mm x 234 mm x 241 mm
	Recessed	12" W x 8" H x 5.9" D 305 mm x 203 mm x 150 mm
Weight	Surface	27 lbs / 12.27 kgs
	Recessed	22 lbs / 10 kgs
Shipping Dimensions	Surface	14" L x 11" W x 13" H 356 mm x 279 mm x 330 mm
	Recessed	14" L x 11" W x 13" H 356 mm x 279 mm x 330 mm



Nova 5[®] - 0112
Push Button, Surface Mounted

NOVA 5[®] HAND DRYERS

The Nova 5[®] hand dryer is available in surface mounted with an optional recessing kit. The push button model is available with an adjustable timing feature.

MEASUREMENTS

Unit Measurements	Surface	12" W x 8.7" H x 9.4" D 305 mm x 221 mm x 239 mm
	Recessed	15" W x 13.2" H x 5.9" D 381 mm x 335 mm x 150 mm
Weight	Surface	18 lbs / 8.18 kgs
	Recessed	29 lbs / 13.2 kgs
Shipping Dimensions	Surface	13" L x 10" W x 11" H 330 mm x 254 mm x 279 mm
	Dryer and Recessed Unit	16" L x 16" W x 4" H 406 mm x 406 mm x 100 mm

MODEL NUMBERS

COVER COLOR	ACTIVATION	120 volt Models	208/240 volt Models
White	Push Button	0112 0110, 0111	0122 0120, 0180, 0121
		011299	012299
White	Automatic	0212 0210, 0180, 1121	0222 0220, 0280, 0221
		011299	022299
ELECTRICAL	Volts	120	208/240
	Amps	15	7.5
	Watts	1800	1800
	Hertz	60	60
RECESSED KIT		White Trim	37-058500
Steel Box		Chrome Trim	37-058589

NOVA 4[®] and NOVA 5[®] FEATURES

Low amperage, quiet induction motor

Sound level of 74dB

Motor is brushless, so no need for brush replacement

Durable and vandal resistant.

Warranty 10 year limited 5 year on sensor

Nova Series

NO TOUCH™ & AIRSPEED™ HAND DRYERS

The No Touch™ and Airspeed™ hand dryers are designed for lighter traffic areas. The quiet induction motor is brushless - no need to replace brushes!



No Touch™ NT
Automatic, Recess Mounted
with KNTR Recess Kit



Airspeed™ WA
Push Button, Surface Mounted

MODEL NUMBERS

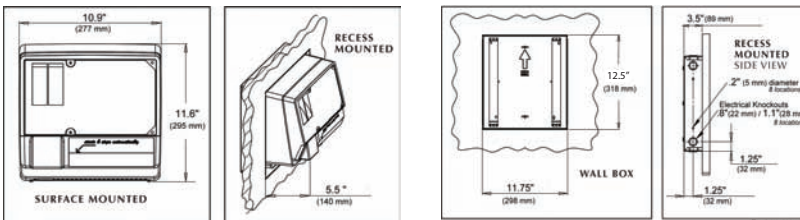
BODY COLOR	ACTIVATION	120 volt, 17 amp Models	120 volt, 13 amp Models	208/240 volt Models	220 volt / 50 Hz Export
White	Automatic	NT126-005	---	NT246-005	NT235-005
Chrome	Automatic	NT126-004	---	NT246-004	NT235-004
White	Push Button	WA126-002	WA126-202	WA246-002	WA235-002
Chrome	Push Button	WA126-001	WA126-201	WA246-001	WA235-001
ELECTRICAL	Volts	120	120	208/240	230
	Amps	17	13	8.5	8
	Watts	2000	1500	2000	1800
	Hertz	60	60	60	50
RECESSING KIT		KNTR-973	KNTR-973	KNTR-973	KNTR-973
Stainless Steel, ADA Compliant					

MEASUREMENTS

Unit Measurements	Surface	10.9" W x 11.6" H x 7.5" D 277 mm x 295 mm x 191 mm
	Recessed	12.7" W x 13.5" H x 5.5" D 323 mm x 343 mm x 140 mm
Weight	Surface	22 lbs / 10 kgs
	Recessed	31 lbs / 14.09 kgs
Shipping Dimensions	Surface	13" L x 12" W x 9.5" H 330 mm x 305 mm x 241 mm
	Recessed	16" L x 15" W x 14" H 406 mm x 381 mm x 356 mm

INSTALLATION

Hand dryers require a dedicated 20 AMP circuit, and must be properly grounded. GFI Circuit protection is recommended. One side of dryer should be mounted to a stud.



SPECIFICATIONS

Airspeed™ and No Touch™ hand dryers shall be manufactured by or for World Dryer® Corporation to include housing of .08" thick die cast aluminum. Front panel shall be in ebony gloss for the NoTouch™ and brushed aluminum for the Airspeed™. Housing to be finished with chrome plating or white epoxy paint. Motor shall be of shaded pole (brushless) type operating at maximum 3200 RPM at rated load, delivering 98 cubic feet per minute of air volume (5300 LFM). Timer shall be electromechanical cam style with 25 amp rated switch to operate dryer for 30 seconds on push button units. No Touch™ dryers shall be activated by means of an infrared emitting/ receiving electronic control device. Recessed kits will include a 16 gauge steel wall-mounting box. Hand dryers shall be listed under reexamination service of Underwriters Laboratories, Inc.

NO TOUCH™ and AIRSPEED™ FEATURES

Tamper resistant screws lock cover securely to base

Resilient motor mounting rings and factory-lubricated, self-aligning bearings for long motor life

Dynamically balanced blower wheel for vibration-free running

Thermo shut-off safety features controlled by an internal thermostat

Sound level of 71dB

Designed for light traffic or noise sensitive areas

Warranty 2 years limited

ELECTRIC-AIRE™ LE HAND DRYERS

Sleek design hand dryer with powder coated baked enamel featuring an ultra quiet induction motor.

LE FEATURES

Two tamper-resistant screws lock cover securely in place

Made of corrosion resistant materials

Rubber noise-isolating mounting

Sound level of 70dB

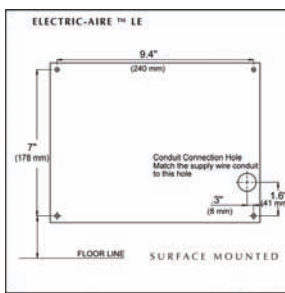
Activates automatically

MODEL NUMBERS

COVER COLOR	115 volt Models	230 volt Models	CE Models
White	LE1-974	LE4-974	LE48-974
ELECTRICAL	115	230	230
	13	6.5	6.5
	1500	1500	1500
	60	60	50

SPECIFICATIONS

Model LE1, LE4 and LE48 shall be manufactured by or for World Dryer® Corporation to include a cover of die cast aluminum. Motor shall be induction type operating at 3360 RPM at rated load. Dryer shall deliver 108 cubic feet per minute of air volume (3900 LFM). Dryer shall be activated by means of an infrared emitting/receiving electronic control device, automatically detecting hands when present. Hand dryer shall be listed under reexamination service of the Underwriters Laboratories, Inc. & certified per Canadian Standards Association.



MEASUREMENTS

Unit Measurements	11.2" H x 8.8" W x 5.9" D 284 mm x 224 mm x 150 mm
Weight	11 lbs / 5 kgs
Shipping Dimensions	13" L x 12" W x 9" H 330 mm x 305 mm x 229 mm

2 years Limited Warranty



Electric-Aire LE1-974

Airstyle™

AIRSTYLE™ MODEL B HAIR DRYERS

The Airstyle™ hair dryers feature a safe and energy efficient, high powered 80 second drying cycle. Designed for use in health clubs, locker rooms, and schools.



Airstyle™ B-974
Push Button, Surface Mounted

MODEL NUMBERS

COVER MATERIAL	COVER COLOR	MOUNTING OPTIONS	115 volt, 20 amp Models	115 volt, 15 amp Models	208/230 volt Models	277 Volts Models	220 volt / 50 Hz Export
Cast Iron	White	Surface	B-974	B1-974	B3-974	B7-974	B38-974
	Beige	Surface	B-468	B1-468	B3-468	B7468	B38-468
	White	Recessed	RB-Q974	RB1-Q974	RB3-Q974	RB7-Q974	RB38-Q974
	Beige	Recessed	RB-Q468	RB1-Q468	RB3-Q468	RB7-Q468	RB38-Q468
Stamped Steel	White	Surface	B-974	B1-974	B3-974	B7-974	B38-974
Stainless Steel	Polished	Surface	B-972	B1-972	B3-972	B7-972	B38-972
	Brushed	Surface	B-973	B1-973	B3-973	B7-973	B38-973
ELECTRICAL	Volts		115	115	208/230	277	230
	Amps		20	15	10	8.5	10
	Watts		2300	1725	2300	2300	2300
	Hertz		60	60	60	60	50

ACTIVATION: The Model B is only available with push button activation

MEASUREMENTS

Unit Measurements		Surface	11.3" W x 9.6" H x 8.1" D 287 mm x 244 mm x 206 mm
		Recessed	13.18" W x 13.8" H x 4" D 335 mm x 351 mm x 100mm
Weight	Cast Iron	Surface	29 lbs / 13.18 kgs
	Cast Iron	Recessed	35 lbs / 15.91 kgs
	Steel	Surface	18 lbs / 8.18 kgs
Shipping Dimensions		Surface	13" L x 10" W x 11.5" H 330 mm x 254 mm x 292 mm
		Recessed	15" L x 15" W x 11.2" H 381 mm x 381 mm x 284 mm

SPECIFICATIONS

Airstyle™ Model B Series industrial hair dryers shall be manufactured by or for World Dryer® Corporation to include a 1/4" thick cast iron with porcelain enamel, 14 gauge thick epoxy coated Cold Rolled Steel, or 14 gauge thick polished or brushed 304 stainless steel. Motor shall be of universal type, 1/10 hp at 7500 RPM. Dryer shall deliver 200 CFM (7300 LFM) of warm air volume. Dryers shall be activated by means of a push button control device. Timer shall be cam operated electro-mechanical type, designed to operate the hair dryer for no less than 80 seconds after activation. Chrome plated nozzle to revolve 360 degrees. Recessed units will include a 16-gauge steel wall-mounting box. Hair dryer shall be listed under the reexamination service of Underwriters Laboratories, Inc.

AIRSTYLE™ FEATURES

Push button dryer features a safe and energy efficient, high powered 80 second drying cycle

Available in surface or recessed mounted

Provides a convenient amenity that is highly vandal-resistant

All models feature swivel nozzles

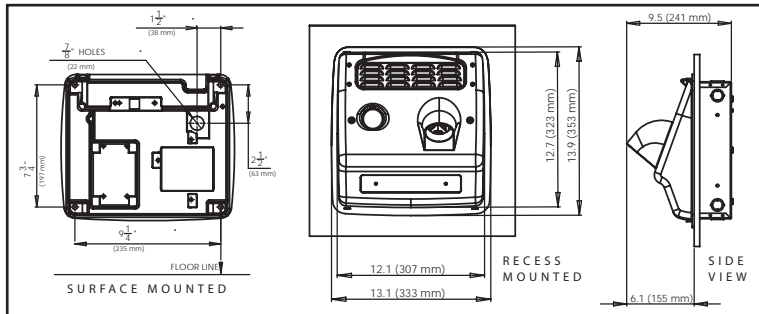
Sound level of 74dB

Warranty 10 years limited



INSTALLATION

Airstyle™ hair dryers require a dedicated 20 AMP circuit, and must be properly grounded. GFI Circuit protection is recommended. One side of dryer should be mounted to a stud.



WorldWind™ HD3
Surface Mounted

WORLDWIND™ HAIR DRYERS

For lighter use applications, the WorldWind™ hair dryer is a wall-mounted unit that isolates electrical components from accidental water contact. Recommended for hotels, hospitals, and nursing homes.

MEASUREMENTS

Unit Measurements	8" H x 23.5" W x 4" D 203 mm x 597 mm x 102 mm
Weight	6 lbs / 2.73 kgs
Shipping Dimensions	19" L x 8.5" W x 4.8" H 483 mm x 216 mm x 122 mm

SPECIFICATIONS

WorldWind™ models HD3 and HD5 shall include a flexible hose permanently attached to direct air flow. Unit shall be equipped with variable temperature drying and shall deliver 45 CFM of air volume at maximum rated voltage. Plug shall have ALCI protection. Unit to be listed under the reexamination service of Underwriters Laboratories, Inc.



MODEL NUMBERS

	110-120 volt Models	220 volt / 50 Hz Export	
	HD3	HD5	
ELECTRICAL	Volts	110-120	220
	Amps	9.1	4.5
	Watts	1000	1000
	Hertz	60	50
	Connection	Cord and ALCI Plug	Hard-Wired

WORLDWIND™ FEATURES

Delivers 1,000 watts of power

Variable temperature control

Safety timer automatically activates when hand piece is removed, shuts off after 15 minutes

Warranty - One year

DryBaby™ BABY CHANGING STATIONS

The DryBaby™ line is designed to be easily maintained while providing a safe changing surface. These changing stations are durable and built to deliver World Dryer® quality standards.

- DRYBABY™
FEATURES
- Easy-to-clean polyethylene interior
 - Safety belt adjustable with one hand
 - No buckle to catch and break in door
 - Built-in liner dispenser
 - Bag hooks on both sides for added convenience
 - Warranty 5 year limited

MODEL NUMBERS		ABC-300H	ABC-300V	ABC-300HS	ABC-300SR
MOUNTING	Horizontal	Horizontal	Vertical	Horizontal	Horizontal
	Surface	Surface	Surface	Surface	Recessed
MATERIAL	Body	Polyethylene	Polyethylene	Polyethylene	Polyethylene
	Exterior			Brushed Stainless Steel	Brushed Stainless Steel
Unit Measurements		18" H x 34.5" W 457 mm x 876 mm	34" H x 19" W 864 mm x 483 mm	21.5" H x 37.5" W 546 mm x 953 mm	18" H x 34.5" W 457 mm x 876 mm
closed / open		4" D / 17" 100 mm x 432 mm	5.5" D / 34" 140 mm x 866 mm	4" D / 17" 100 mm x 432 mm	.13" D / 18" 3 mm x 457 mm
Weight		15.5 lbs / 7 kgs	20.5 lbs / 9.3 kgs	35 lbs / 15.9 kgs	32 lbs / 14.5 kgs
Shipping Dimensions		36" L x 19" W x 6" H 914 mm x 483 mm x 152 mm	36" L x 20" W x 6" H 914 mm x 508 mm x 152 mm	48" L x 27" W x 7" H 1219 mm x 686 mm x 178 mm	41" L x 27" W x 7" H 1041 mm x 686 mm x 178 mm



MODEL DESCRIPTIONS

ABC-300H:
Horizontal surface mounted with optional safety bracket available for mounting on weaker surfaces.

ABC-300V:
Vertical surface mounting provides added space savings. Changer tray made of Urethane foam-filled for added strength and rigidity.

ABC-300HS:
Horizontal surface mounted with optional recessed mounting kit and a sleek stainless steel exterior.

ABC-300SR:
Horizontal recessed mounted with sleek stainless steel exterior.

ACCESSORIES - May be ordered separately from changing stations.

ABC-300L:
Sanitary Bed Liners. Available in quantities of 500

ABC-300MB:
1 Steel Mounting Reinforcements Bracket. Available for ABC-300H and ABC-300HC Models

MOUNTING HEIGHTS

Mounting heights are measured from the floor to the bottom of the unit.

		HAND DRYERS		HAIR DRYERS		BABY CHANGER
		Surface	Recess	Airstyle™	WorldWind™	DryBaby™
ADULTS	Men	46" (117cm)	42" (107cm)	68" (172cm)	58" (147cm)	34" (86cm)
	Women	44" (112cm)	40" (102cm)	59" (150cm)	58" (147cm)	34" (86cm)
	Disabled	37" (94cm)	34" (86cm)	40" (102cm)	38" (86cm)	34" (86cm)
CHILDREN	ages 3-7	32" (81cm)	28" (71cm)	41" (104cm)	58" (147cm)	34" (86cm)
	ages 8-10	36" (91cm)	32" (81cm)	48" (122cm)	58" (147cm)	34" (86cm)
	ages 11-13	40" (102cm)	36" (91cm)	54" (132cm)	58" (147cm)	34" (86cm)
	ages 14-17	44" (116cm)	40" (102cm)	59" (150cm)	58" (147cm)	34" (86cm)



WORLD DRYER

5700 McDermott Drive
Berkeley, IL 60163
www.worlddryer.com

800-323-0701 708-449-6950 fax: 708-449-6958